

**0018** Technical Service Information

Subject: Cylinder head cover gasket and intake seals

Relates to: 15-36571-01

Make: Citroën, Fiat, Ford, Peugeot, Volvo

Model(s): Various

Engine code: 2.0 TDCi, 2.0 JTD, 2.0 HDi

Cylinder head cover gasket and intake seals – installation information

Dear Customer,

On the engines listed above, the cylinder head cover gasket and/or the intake seals can only be disassembled together. For this reason we only offer these gaskets and seals as a combined set.

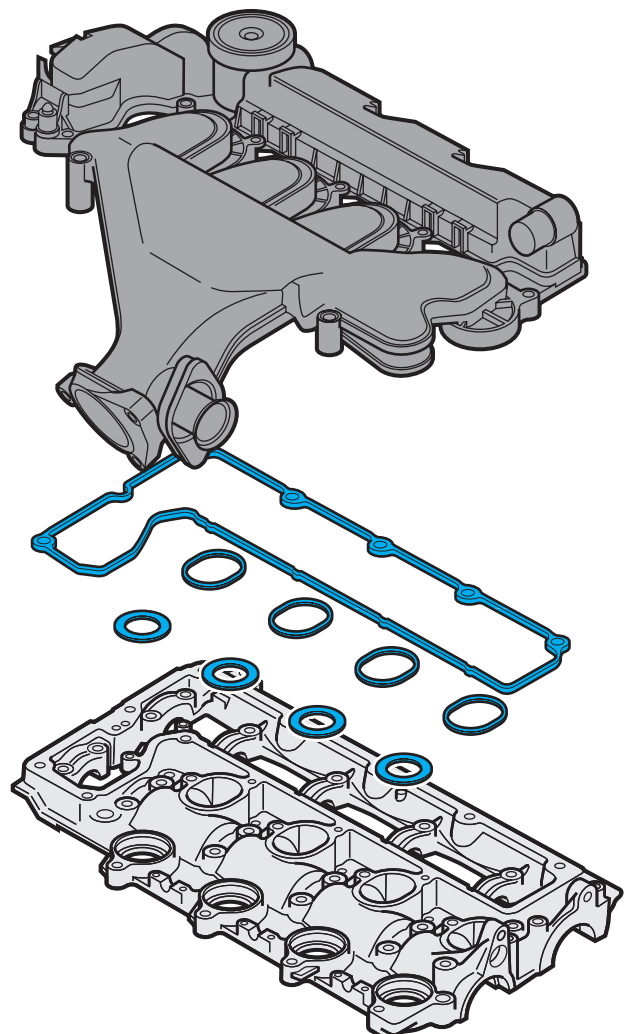
The order number for the set of seals is 15-36571-01.

Original numbers (for comparison purposes)

- Citroën/Peugeot 0348.S3
- Fiat 9654983280
- Ford 1 365 586/3M5Q 6L004 CA
- Volvo 30 757 077

Yours sincerely

Your VICTOR REINZ Service Team



Victor Reinz® – the best way to get a good gasket.